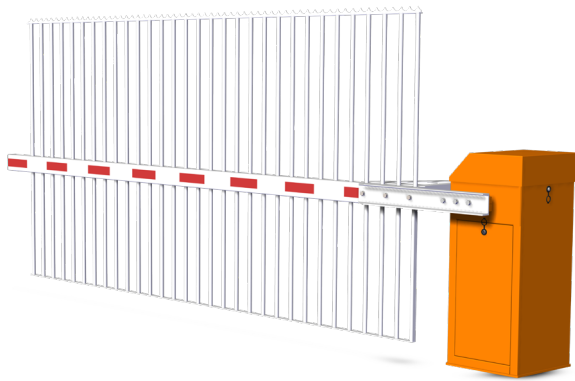


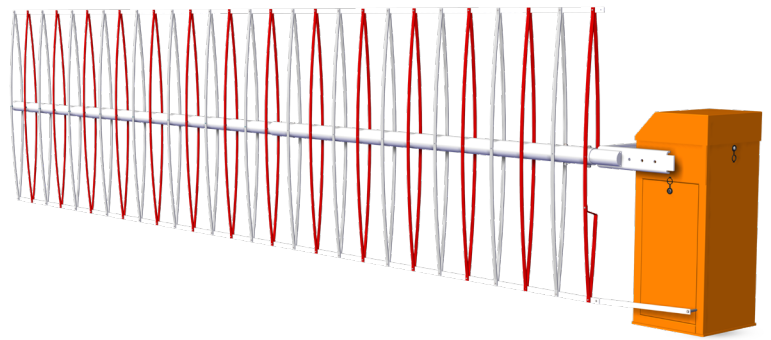
EN



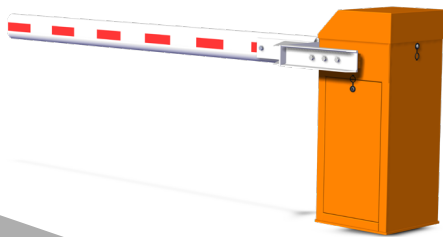
BL 40



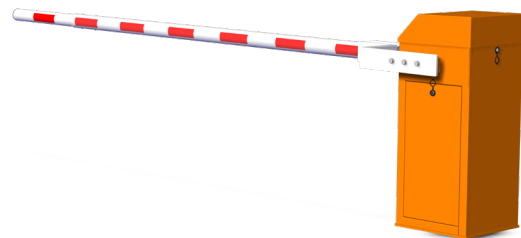
BL 47



BL 46



BL 43 / BL 44



BL 41

BL4X

ATTENTION!

THE FOLLOWING ARE INCLUDED IN THIS ELECTRICAL TECHNICAL FILE :

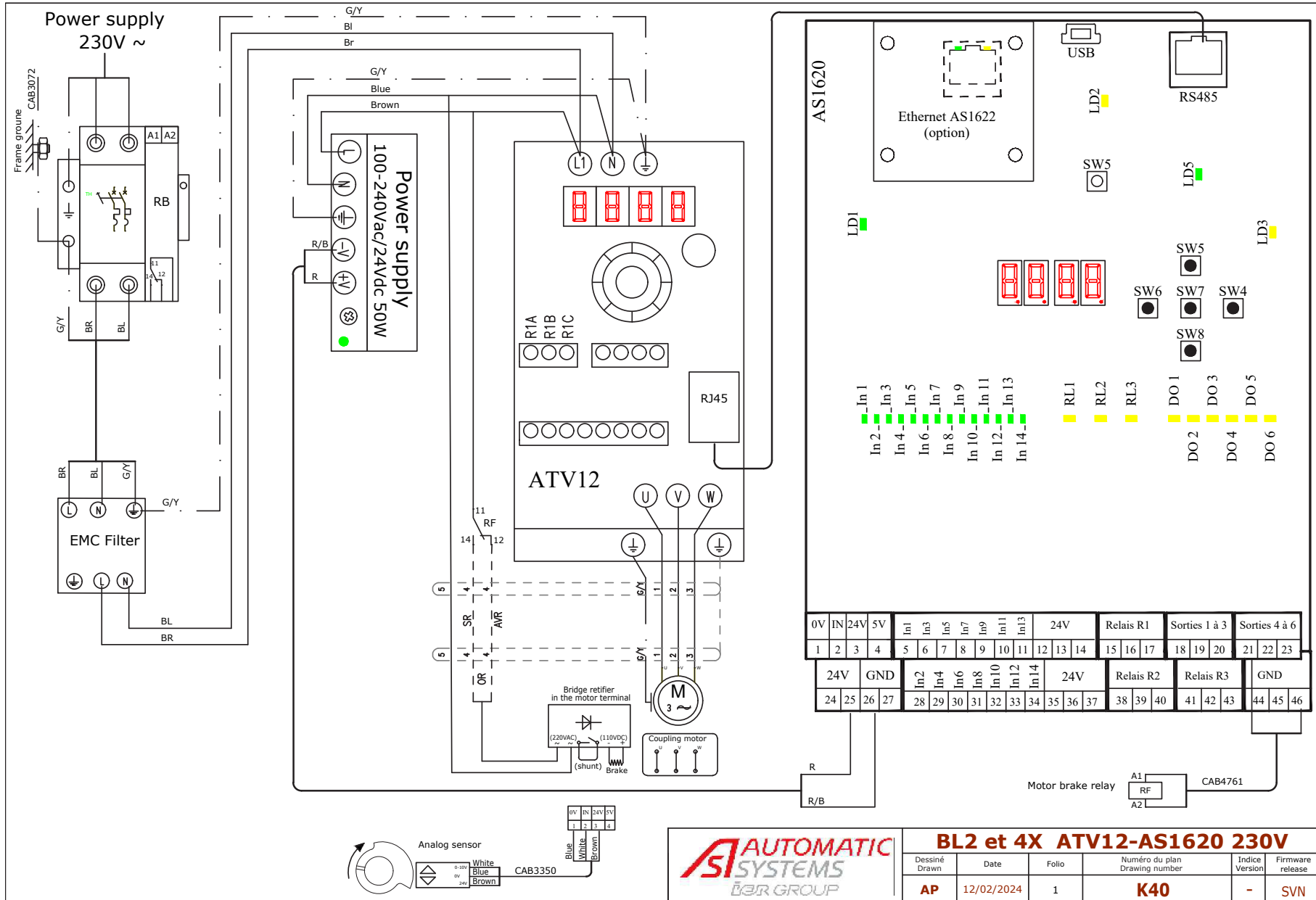
- **ALL ELECTRICAL DIAGRAMS OF STANDARD PRODUCTS**

ATTENTION!

FOR ANY OTHER TYPE OF OPTION OR CUSTOMISATION PLEASE REFER TO THE SPECIFIC ELECTRICAL TECHNICAL FILE SUPPLIED WITH YOUR EQUIPMENT!

BL4X - AUTOMATIC RISING BARRIER

ENGLISH

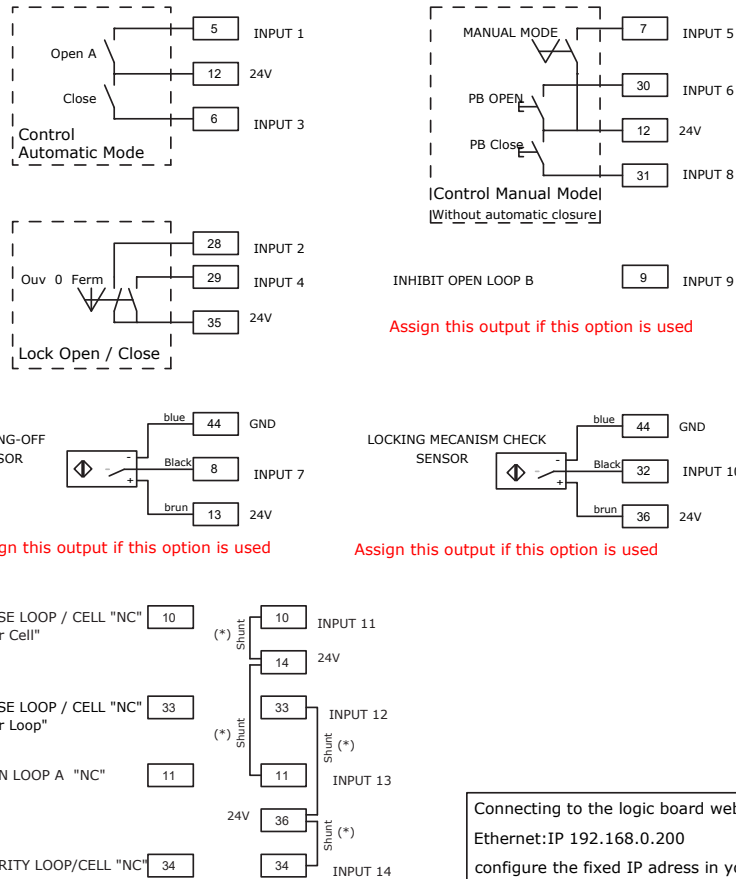


BL4X - AUTOMATIC RISING BARRIER

0V	IN	24V	5V	In1	In3	In5	In7	In9	In11	In13	24V	Relais R1	Sorties 1 à 3	Sorties 4 à 6								
1	2	3	4	5	6	7	8	9	10	11	12	13	14	15	16	17	18	19	20	21	22	23
24V	GND	In2	In4	In6	In8	In10	In12	In14	24V	Relais R2	Relais R3	GND										
24	25	26	27	28	29	30	31	32	33	34	35	36	37	38	39	40	41	42	43	44	45	46

BE CAREFUL : The configuration of inputs and outputs of this folio represent the default values, for special configurations, see the terminal block folio

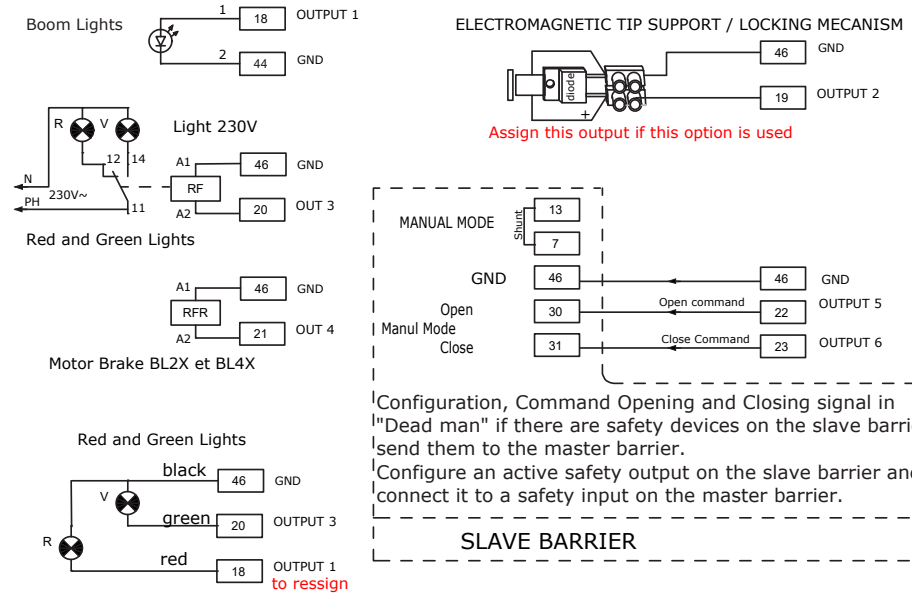
INPUTS



Assign this output if this option is used

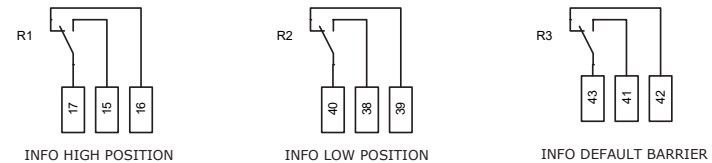
Assign this output if this option is used

OUTPUTS



to ressign

Relay contact at 2A under 24Vac/dc



Connecting to the logic board web server by RJ45
 Ethernet: IP 192.168.0.200
 configure the fixed IP address in your network:
 address IP 92.168.0.210
 by USB: Address IP 10.0.0.1
 Driver: Kindle_rndis.inf_amd64

For Loop/Cell wiring see annex OS-001 and OS-002

(*) Be careful remove the shunt of the used inputs



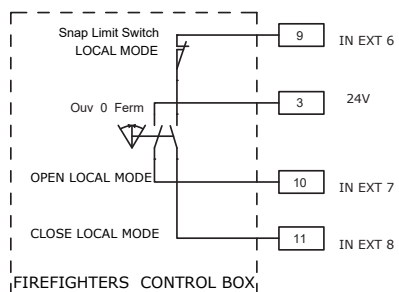
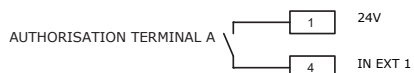
CONFIG "PERIMETRIC" AS1620

Dessiné Drawn	Date	Folio	Numéro du plan Drawing number	Indice Version	Firmware release
AP	22/06/2021	1	PE	-	SVN

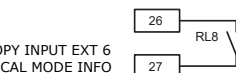
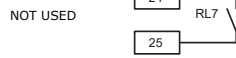
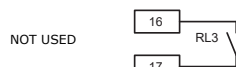
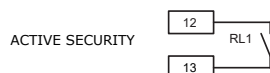
BL4X - AUTOMATIC RISING BARRIER

IF AS1623 EXPANSION CARD OPTION OP-VEH-235

INPUTS



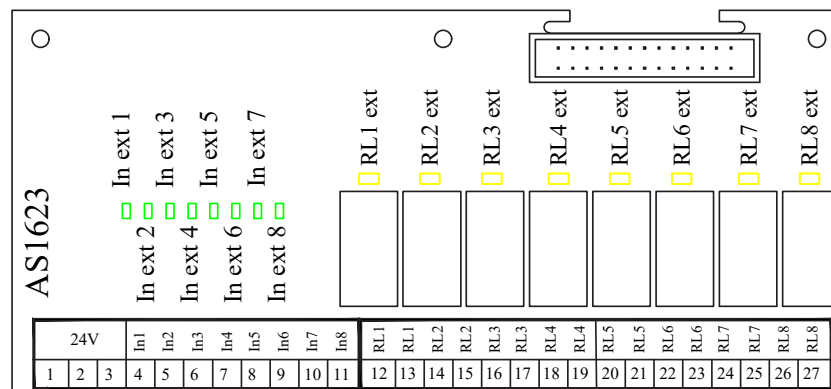
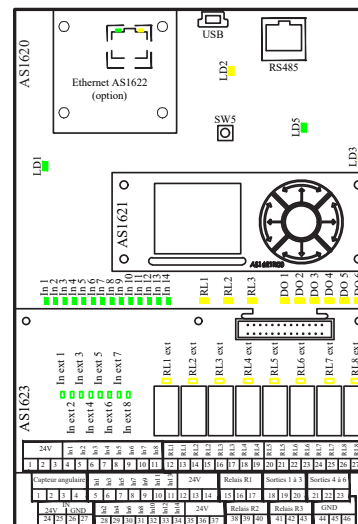
OUTPUTS



Notice Closed all the way down

Sorties contact sec limitées à 2A sous 24Vac/dc

BE CAREFULL : The configuration of inputs and outputs of this folio represent the default values, for special configurations, see the terminal block folio



(*) Be careful to remove the shunt from the inlet used

config "PERIMETRIC" I/O Extension

Dessiné / Drawn	Date	Folio	Numéro du plan / Drawing number	Indice / Version	Firmware release
AP	22/06/2021	2	PEX	-	SVN



BUREAUX BELGES ET INTERNATIONAUX

Belgique

Tel.: +32.(0)10.23.02.11
helpdesk.as@automatic-systems.com

France

Tel.: +33 1 30 28 95 53
helpdesk.fr@automatic-systems.com

Allemagne

Tel.: +49 2303 553 4040
helpdesk.de@automatic-systems.com

Royaume-Uni

Tel.: +44 (0) 1604 654 210
helpdesk.uk@automatic-systems.com

Espagne

Tel.: +34 93 478 77 55
helpdesk.es@automatic-systems.com

États-Unis et Canada

Tel.: +1 450 659 0737
helpdesk.nam@automatic-systems.com

Autres pays

Tel.: +32.(0)10.23.02.11
helpdesk.as@automatic-systems.com

BL4x-DTE-01



Headquarters

Avenue Mercator, 5
1300 Wavre - Belgium

www.automatic-systems.com 